

# Concierge Displays Pty Ltd

## Concierge 10 Inch Flush Mount Wall Bracket

### ACMGFM10

Issue Number 12 – 19/03/2018

**Drawing Summary:**

Drawing No.	Drawings Title	Rev	Issue Date
CNG-000	Drawing Summary Page	06	19/5/2017
CNG-001	Overall Dimensions	1.2	19/5/2017
CNG-002	Enclosure Manufacturing	1.7	04/08/2017
CNG-003	Adaptor Plate Manufacturing	1.3	04/08/2017
CNG-004	Steel Face Plate Manufacturing	1.1	5/5/2015
CNG-005	Acrylic Face Plate Manufacturing	1.5	19/03/2018
CNG-006	Assembly Drawing	1.4	2/6/2015

Concierge Displays Pty Ltd  
 6/131 Hyde Street  
 Footscray, Victoria, 3011  
 Ph) +61 3 9012 6126  
 www.conciergeDisplays.com.au

**Project:**  
 Concierge Displays Pty Ltd  
 10" Flush Mount Wall Bracket  
 ACMGFM10

**Title:**  
 Summary Information

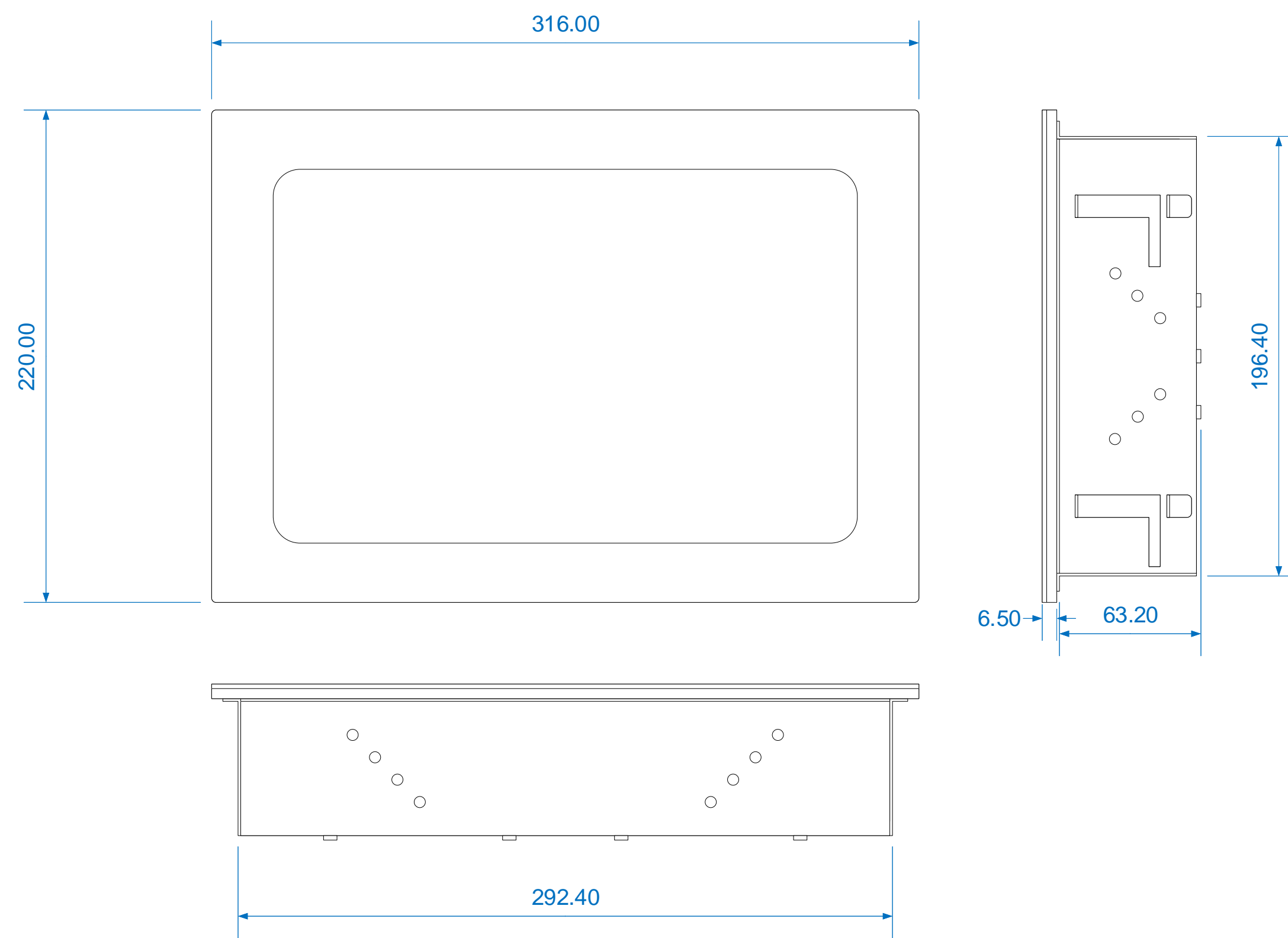
REVISIONS	
No.	Date
03	13/05/2015
04	21/05/2015
05	02/06/2015
06	19/05/2017
07	28/07/2017
08	01/08/2017
09	04/08/2017
10	26/10/2017
11	23/11/2017
12	19/03/2018

Project Code

Drawn By  
Scott Summers

First Drawn  
March 20, 2018

Drawing Number  
**CNG-000**



REVISIONS	
No.	Date
1.0	21/9/2013
1.1	2/6/2015
1.2	19/5/2017

Project Code

Drawn By  
Scott Summers

First Drawn  
March 20, 2018

Drawing Number

**CNG-001**

**Title:**  
Overall Dimensions

**Project:**  
Concierge Displays Pty Ltd  
10" Flush Mount Wall Bracket  
ACMGFM10

Concierge Displays Pty Ltd  
 6/131 Hyde Street  
 Footscray, Victoria, 3011  
 Ph) +61 3 9012 6126  
 www.conciergedisplays.com.au

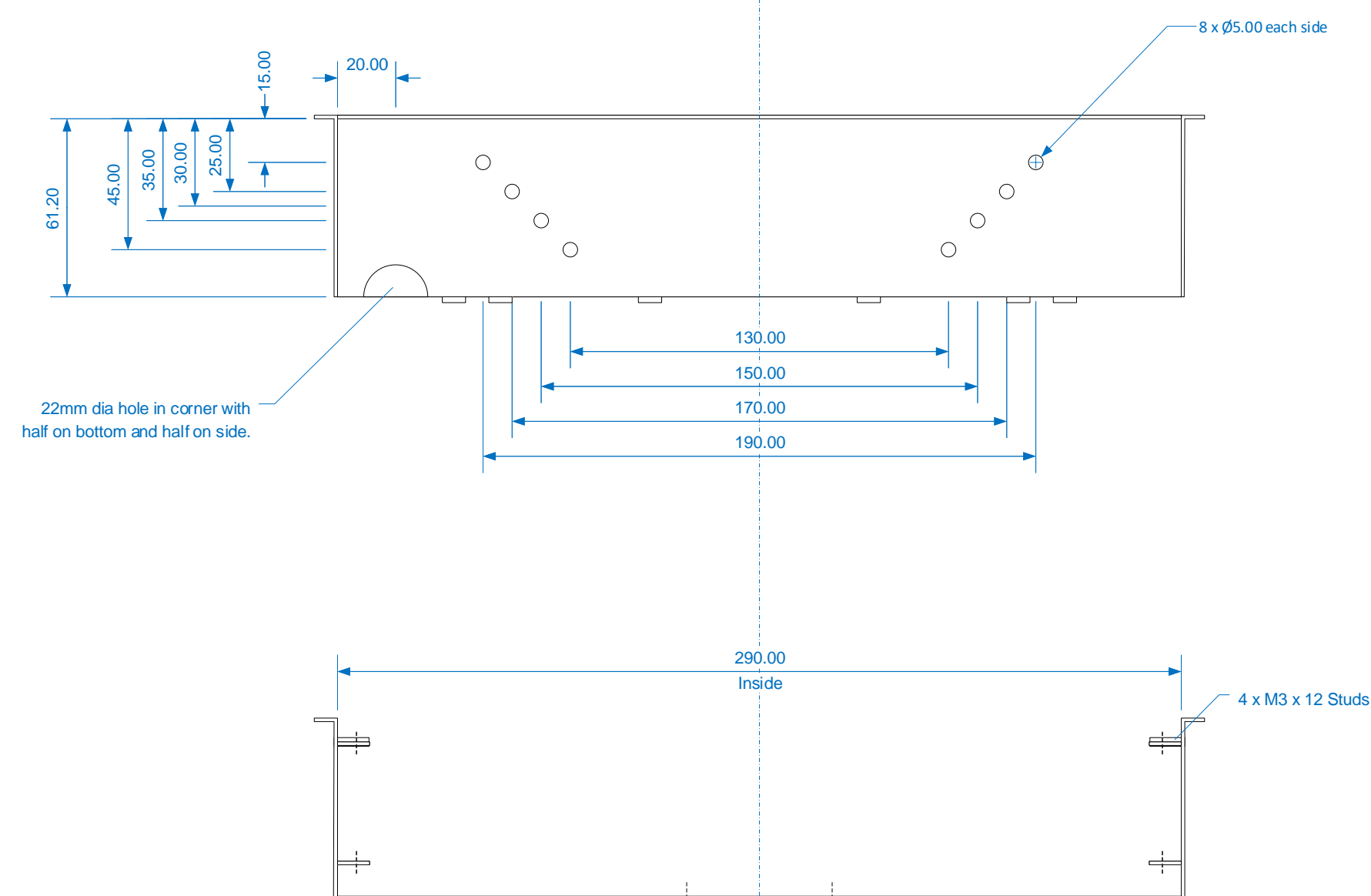
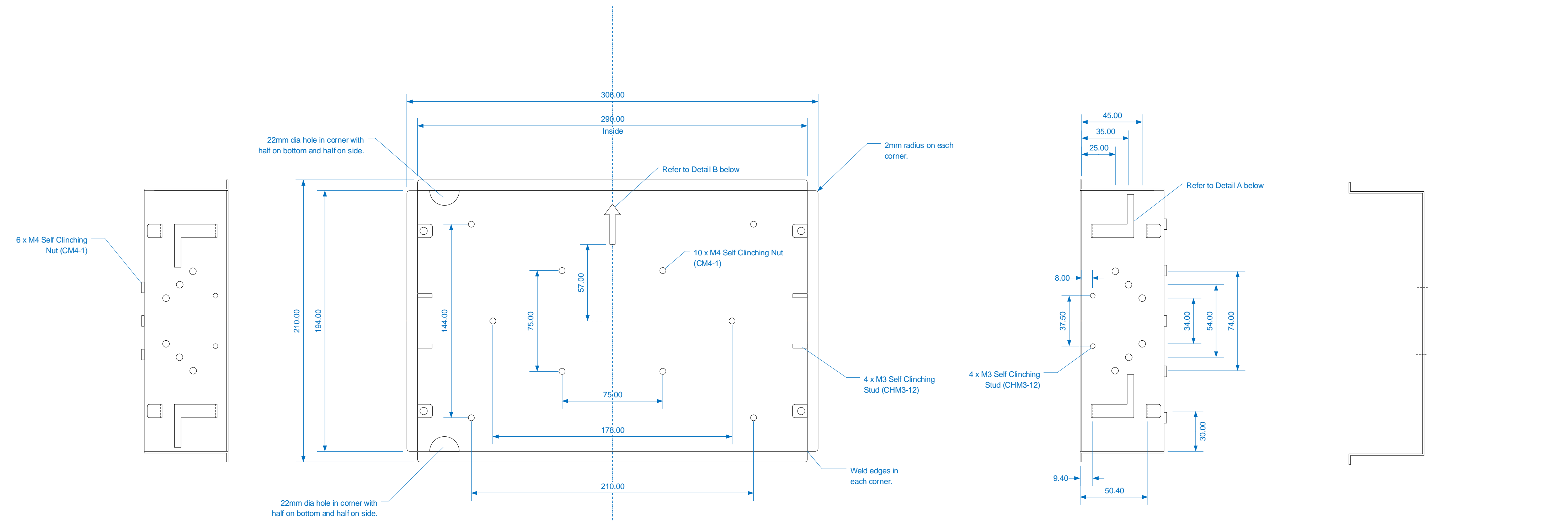


**CONCIERGE**

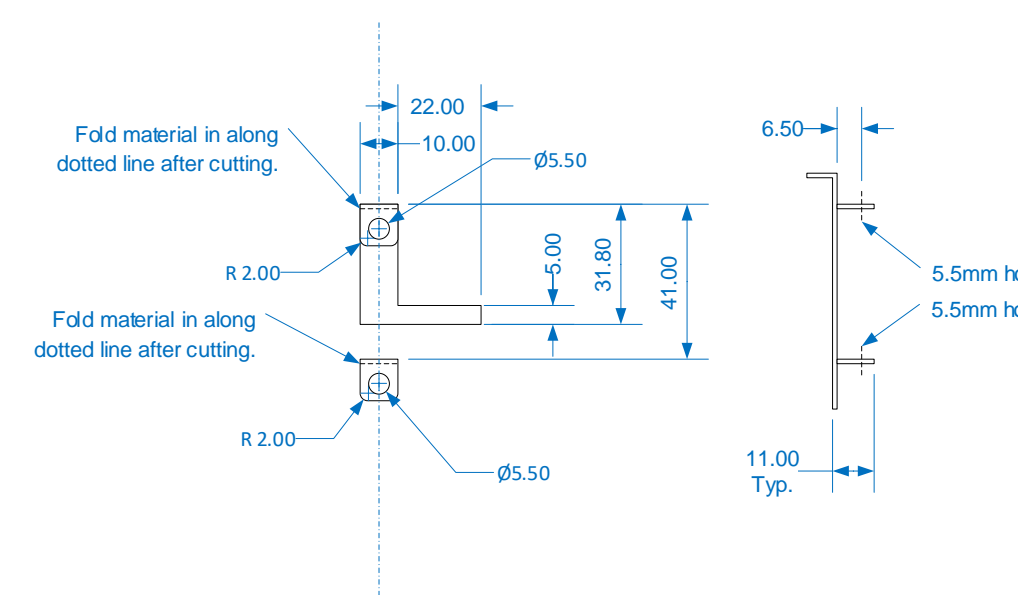
**Revision History**

- 1.6 – 28/7/2017  
 - Added Mouse Holes  
 - Removed 2 x M4 Self Clinching Nut for depth stop screws.  
 - Added 4 x M4 Self Clinching Nut for depth stop screws.

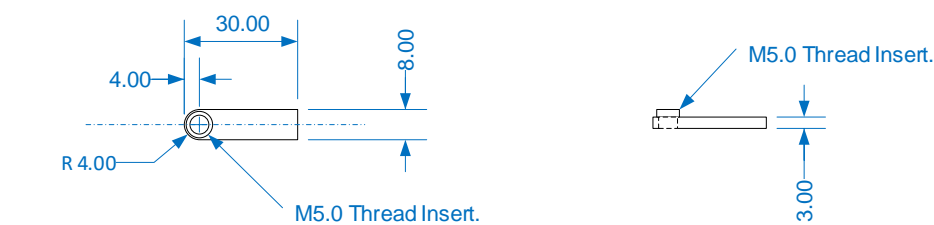
- 1.7 – 4/8/2017  
 - Added 2 x M4 Self Clinching Nut for scissor stop screws.  
 - Moved Adaptor Bracket Self Clinching Nuts to 75 x 75.  
 - Added Install Direction Arrow.



**Material will be 1.2mm Mild Steel with Textured Black Powdercoat finish.**

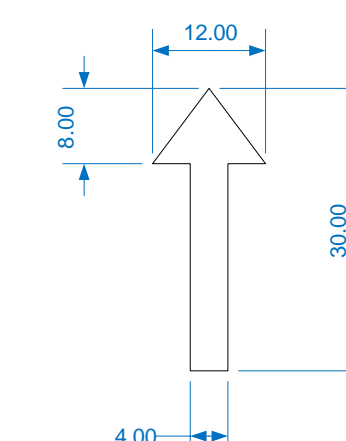


**Detail A – Tab Mounting Cut-outs.**



**Material will be 3.0mm Mild Steel with Textured Black Powdercoat finish.**

**Mounting Tab (4 per unit)**



**Detail B – Arrow Cut-out.**

REVISIONS	
No.	Date
1.0	19/4/2013
1.1	21/9/2013
1.2	5/5/2015
1.3	13/5/2015
1.4	21/5/2015
1.5	2/6/2015
1.6	28/7/2017
1.7	04/08/2017

**Project Code**

**Drawn By**  
 Scott Summers

**First Drawn**  
 March 20, 2018

**Drawing Number**

**CNG-002**

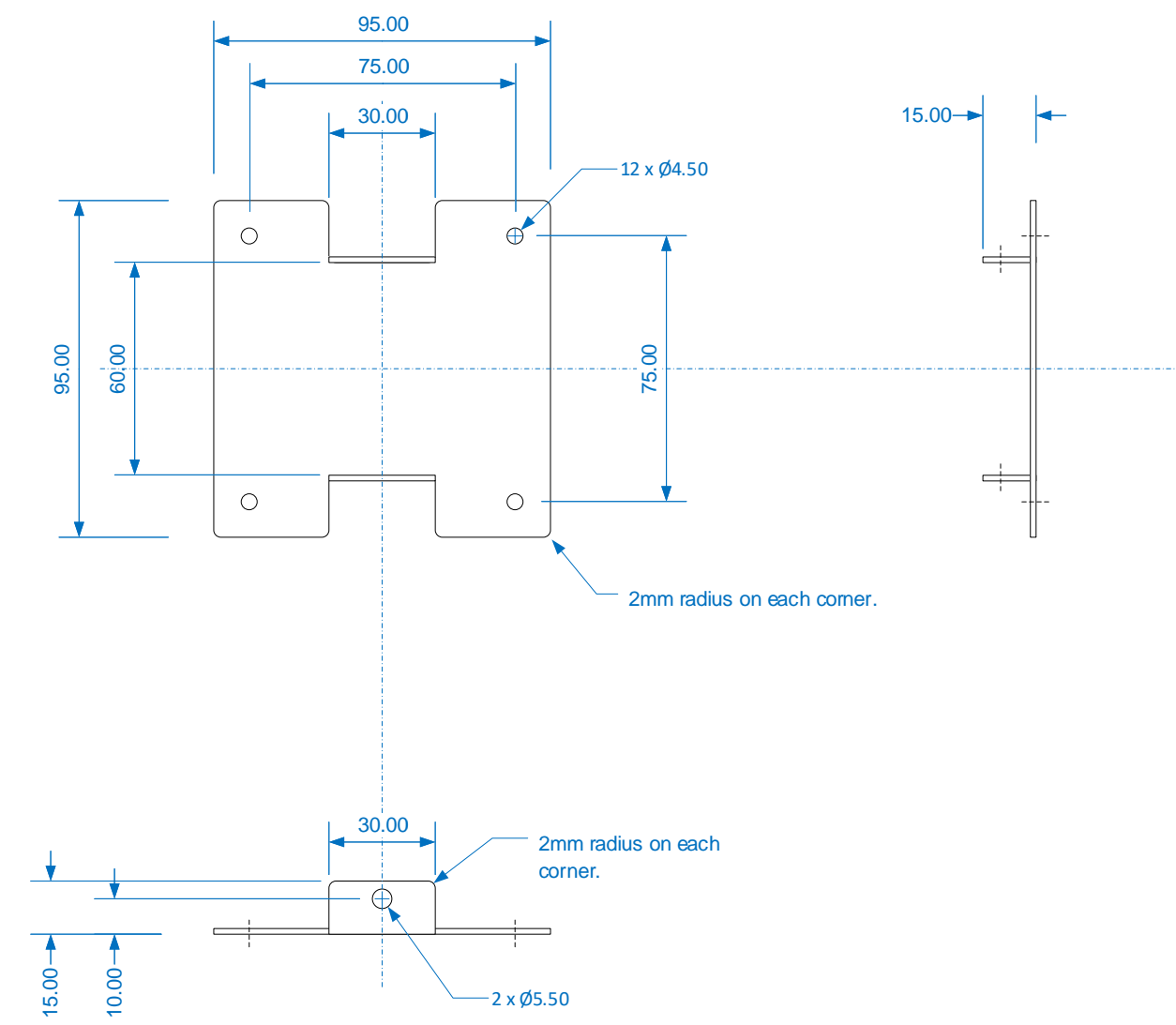
**Revision History**

1.2 – 28/7/2017

- Removed 50 x 50 holes from Panel Adaptor.
- Removed 100 x 100 holes from Panel Adaptor.
- Made Panel Adaptor smaller.

1.3 – 4/8/2017

- Deleted Enclosure Adaptor.
- Changed Panel Adaptor to "Adaptor Plate". Require 2 of.



Adaptor Plate (2 per unit)

Material will be 1.2mm Mild Steel with Textured Black Powdercoat finish.

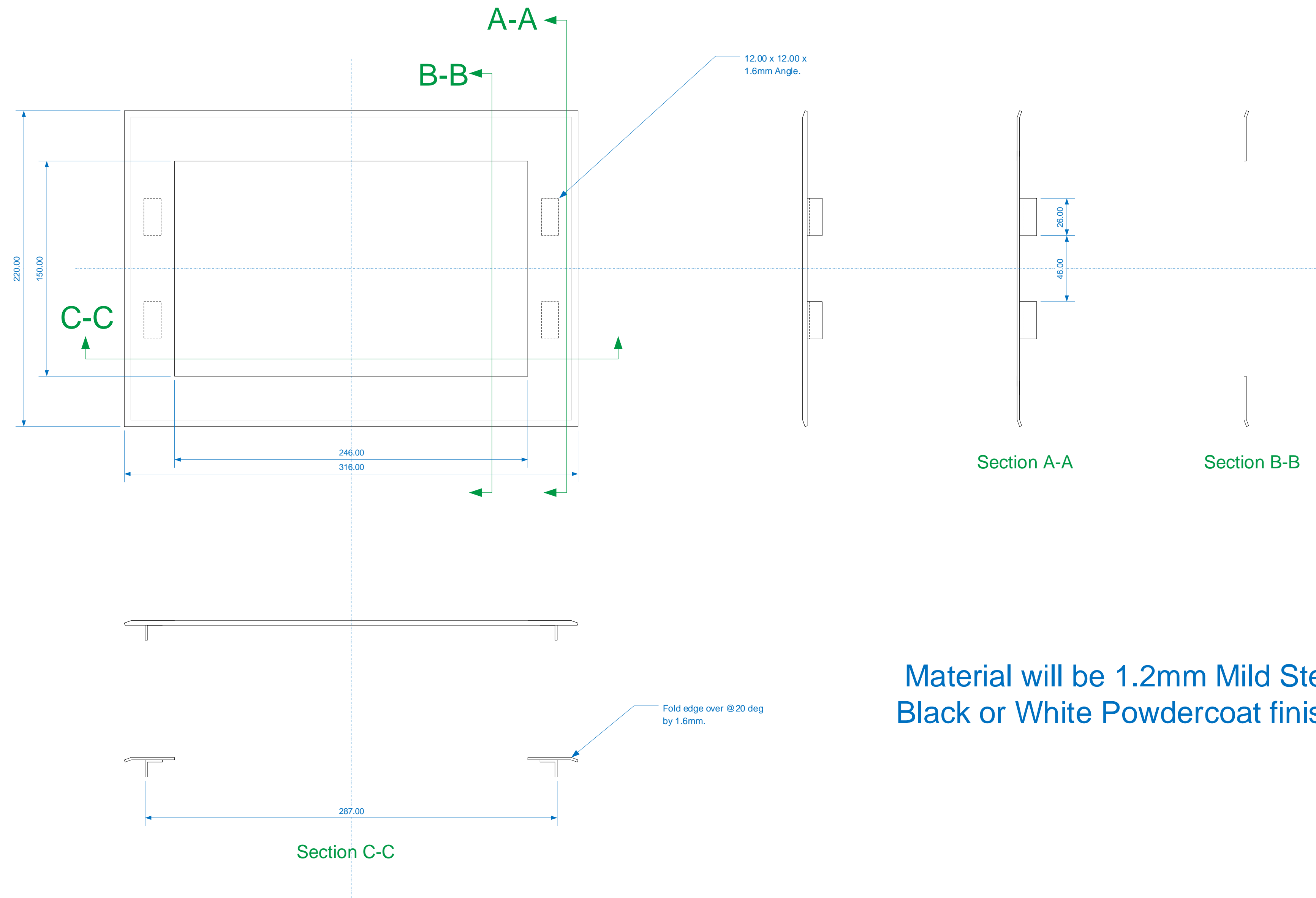
REVISIONS	
No.	Date
1.0	19/4/2013
1.1	21/9/2013
1.2	28/7/2017
1.3	04/08/2017

Project Code

Drawn By  
 Scott Summers

First Drawn  
 March 20, 2018

Drawing Number  
**CNG-003**



Material will be 1.2mm Mild Steel with Gloss Black or White Powdercoat finish as directed.

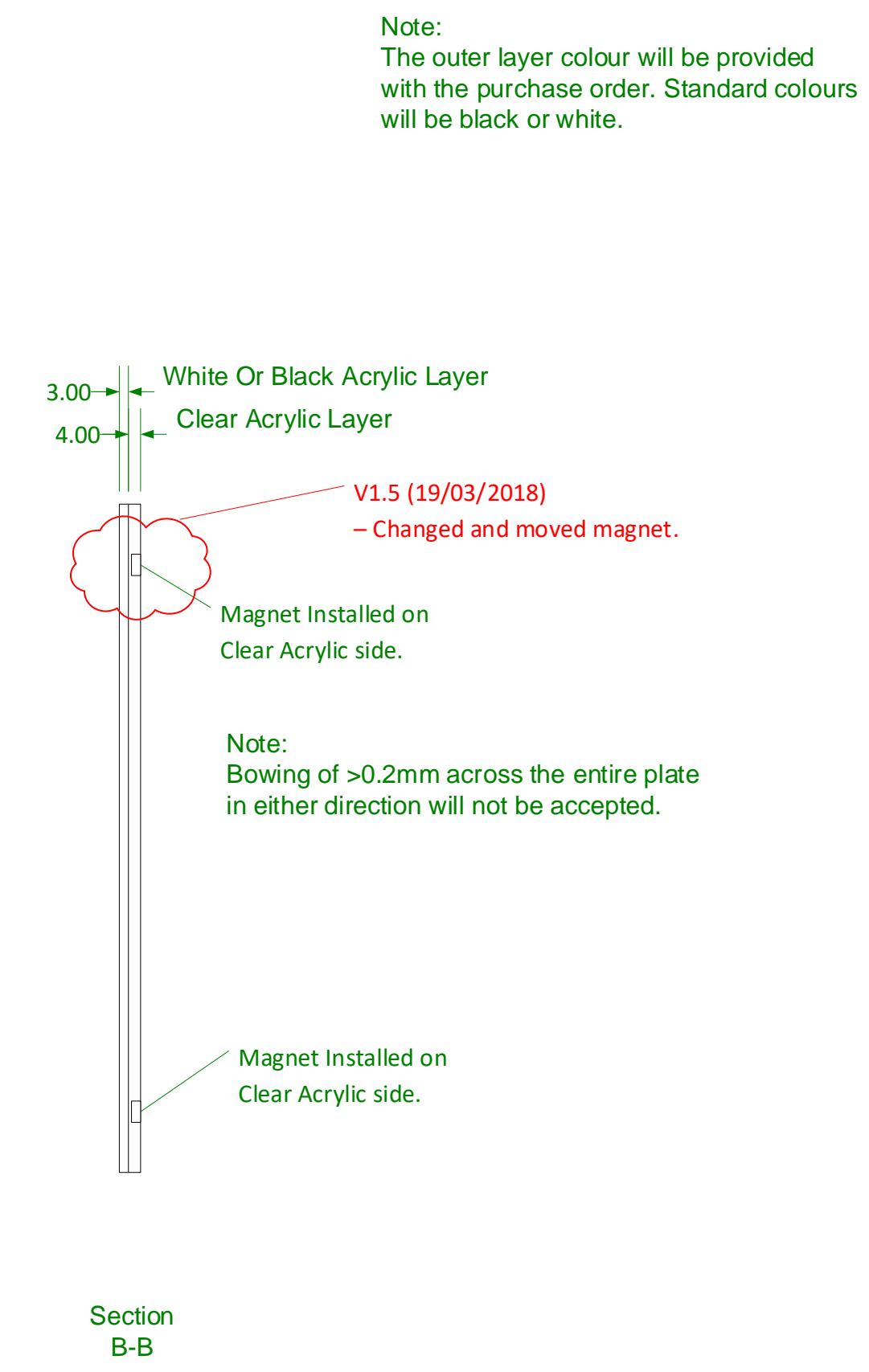
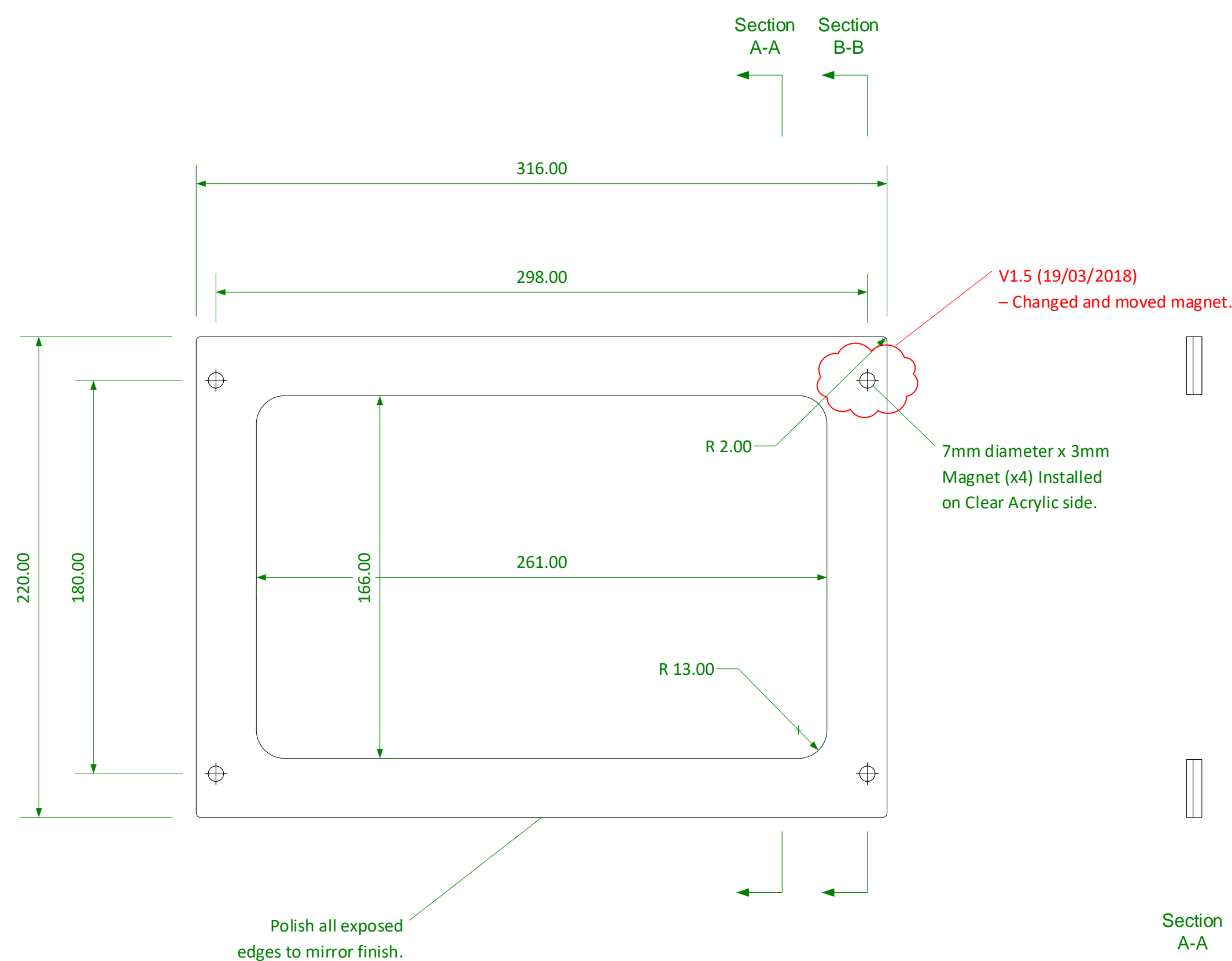
REVISIONS	
No.	Date
1.0	19/4/2013
1.1	5/5/2015

Project Code

Drawn By  
 Scott Summers

First Drawn  
 March 20, 2018

Drawing Number  
**CNG-004**



Note:  
The outer layer colour will be provided with the purchase order. Standard colours will be black or white.

**Note:**  
Rare Earth Magnet is available from:  
WRS Orora  
Part No. 9RE7X3

REVISIONS	
No.	Date
1.0	19/5/2017
1.1	28/7/2017
1.2	01/08/2017
1.3	26/10/2017
1.4	23/11/2017
1.5	19/03/2018

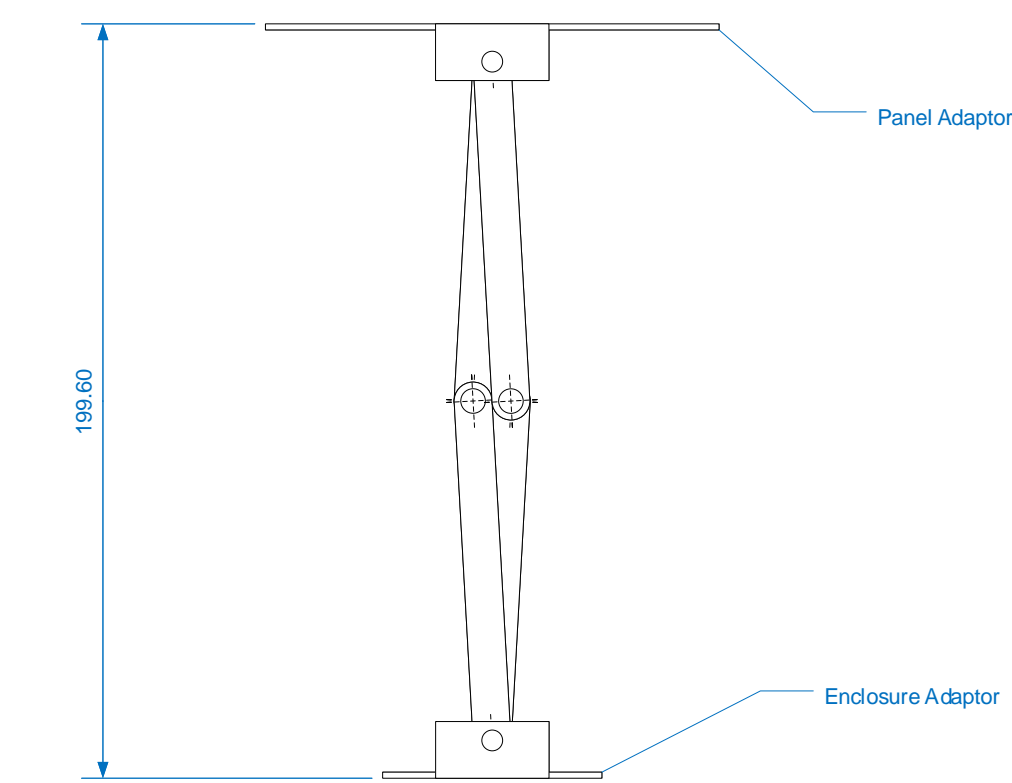
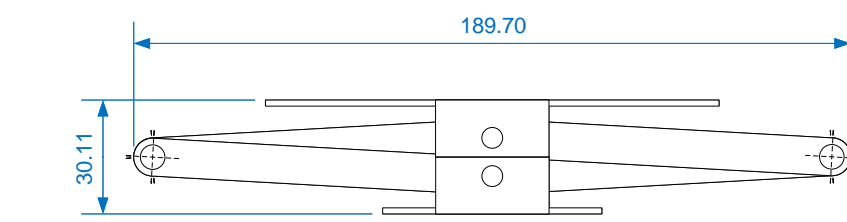
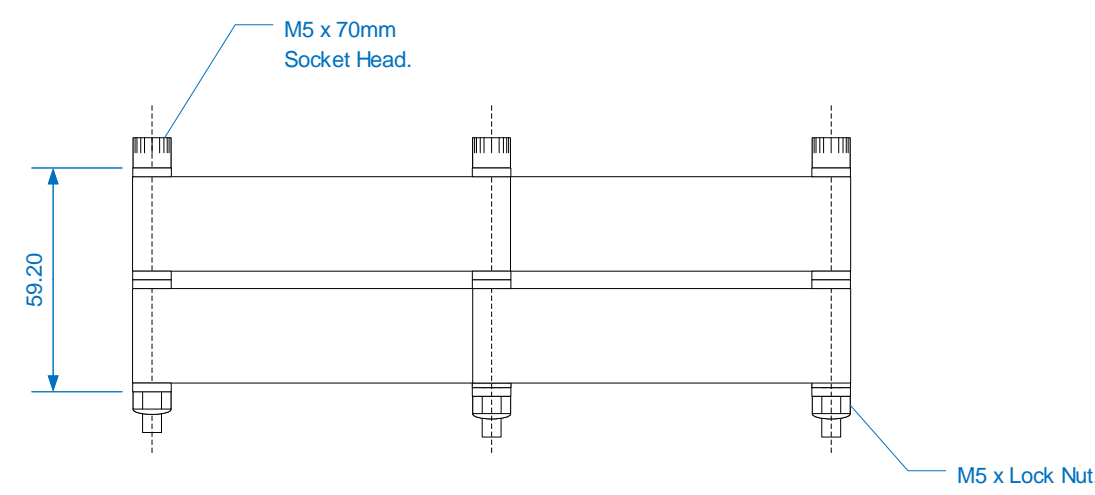
Project Code

Drawn By  
Scott Summers




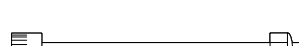
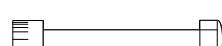

First Drawn  
March 20, 2018

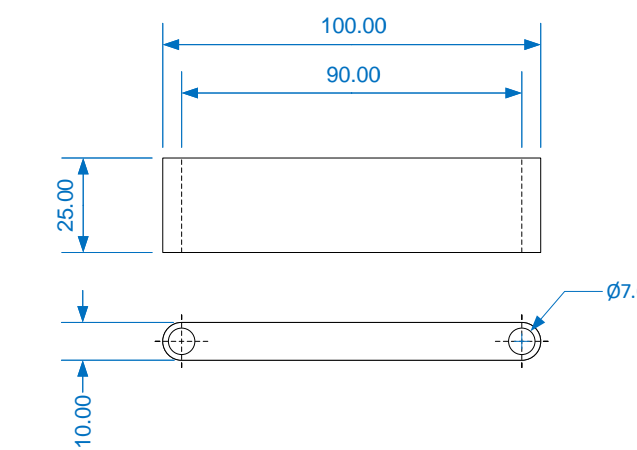
Drawing Number  
**CNG-005**





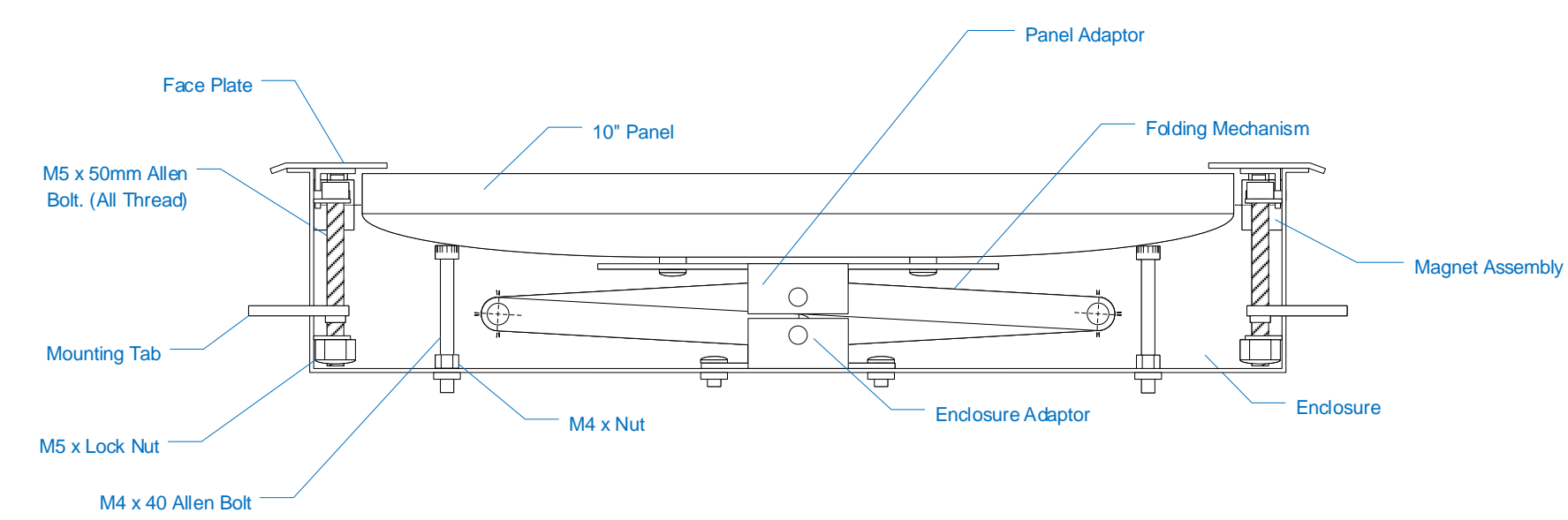
Folding Mechanism

-  M5 x 9mm Nylon shoulder washer.
-  Magnet
-  Mounting Tab
-  M5 x 70 Allen Bolt and Lock Nut.
-  M5 x 50 Allen Bolt (all threaded) and Lock Nut.
-  M4 x 40 Allen Bolt and Nut.



Material will be 10mm x 25mm  
ACNINUM with Satin Black  
Powdercoat finish.

Parts List



Assembly

REVISIONS	
No.	Date
1.0	15/03/2013
1.1	12/04/2013
1.2	21/9/2013
1.3	5/5/2015
1.4	2/6/2015

Project Code

Drawn By  
 Scott Summers

First Drawn  
 March 20, 2018

Drawing Number

**CNG-006**